

- HEATING
- INSULATION
- MEASURING
- FIRING & MELTING

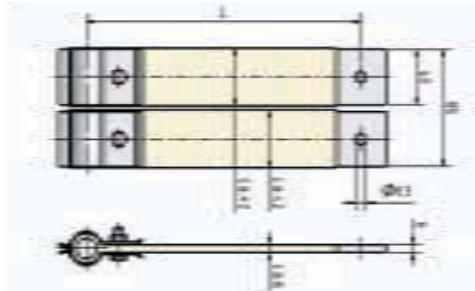


DIN EN ISO 9001
Zertifikat Nr. 71 100 G 016

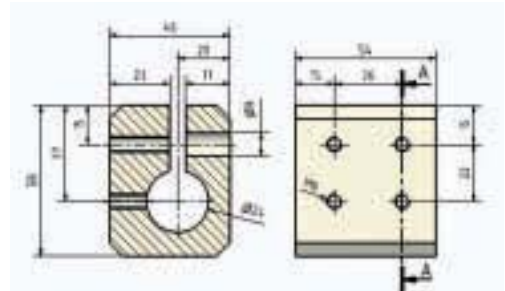
■ **M.E.SCHUPP®** -
MOLYCOM®-ULTRA
Molybdenum Disilicide Electric
Heating Elements up to 1,800°C

gdtb_XL_0400

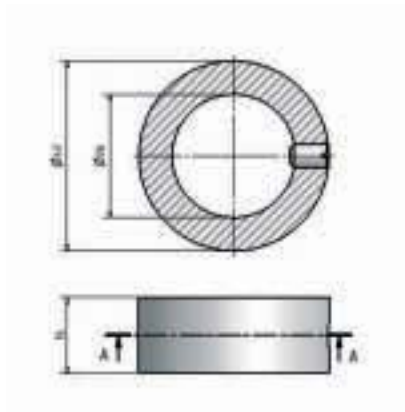
Accessories



Power to Element



Aluminium Block



Single Shank Holder



Element Size 12/24 mm