

- HEATING
- INSULATION
- MEASURING
- FIRING & MELTING



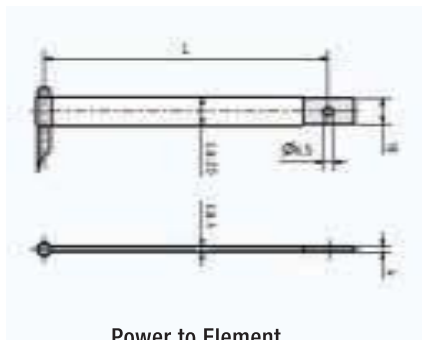
DIN EN ISO 9001  
Zertifikat Nr. 71 100 G 016

**M.E.SCHUPP® -**  
**MOLYCOM®-ULTRA**  
Molybdenum Disilicide Electric  
Heating Elements up to 1,800°C

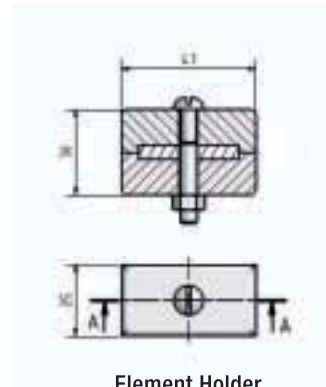
gdtb\_XL\_0400

### Accessories

All necessary accessories like contact-straps, single & double holders, Clips, passage fibrous-blocks are in the range of M.E.SCHUPP HIGH TEMPERATURE TECHNOLOGY.

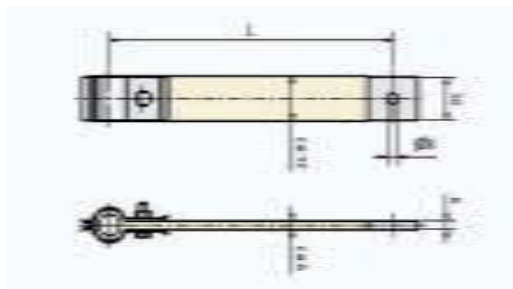


Power to Element

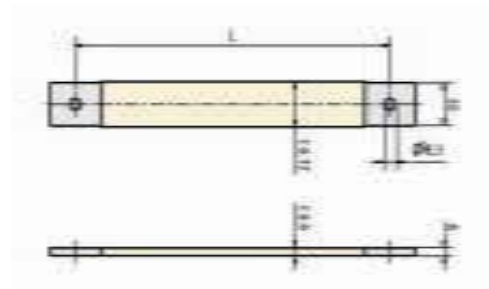


Element Holder

Element Size 3/6 mm & 4/9 mm



Power to Element with clamp



Power to Power

Element Size 6/12 mm (Part 1)